

DIGITAL PANEL METER BASIC SERIES

AC VOLT METERS (Single Phase)



Y9-AV1



Y7-AV1



Y4-AV1

FEATURES

- Displays Line to Line Voltage or Line to Neutral
- Voltage and system frequency.
- Password Protected.
- True RMS measurement of parameters.
- Auto/Manual scrolling of parameters
- Easy Programming with push buttons on front facia.
- RS-485 Communication optional.
- Relay Output for alarm can be provided.(optional)

SPECIFICATION

Display	: 4 Digit Red LED Super Bright Display	Maximum Overload	: Voltage 1.2 Times Continuous
Digit Height	: 0.56"/14.2.mm	Frequency Response	: 40-400 Hz
Maximum display	: 9999(Max.) Counts	Auxiliary Supply	: 150-300V AC, 45-270V AC /DC, 19-60V AC /DC
Resolution	: 0.001 to 1 Count Depending on Range/ Scale Display	Input Voltage	: 0- 750V AC(Direct)
Display Stability	: With in ±1 Digit	PT Primary Range	: 50 to 500kV AC Programmable
Faceplate /Lens	: Polycarbonate Transparent	PT Secondary Range	: 50 to 500V AC Programmable
Case/Housing Material	: FR-ABS Black	Accuracy Class	: 1 & 0.5 (Freq. Measurement of Class 0.2)
Connectors /Terminal	: Nylon 66, 33%GF,Black/Brass	VA (Burden)	
Mounting Clamps	: Sturdy, Moulded Glass filled nylon with screws.	Auxiliary	: ≤1.5 VA
Decimal Point	: Auto Scrolling	Voltage Input	: ≤1.0 VA
Dielectric Strength	: 2.5KV @50 Hz for 1 minute between Input -Auxiliary	Environment	
Impulse Withstand	: 3.5.KV, 1.2/50 micro Second	Calibration	: 27°C ± 5°C
Refresh Rate	: Per 8.0ms	Operating	: 0° to + 60°C, RH<70%
		Storage	: -10° to +70°C, RH<70%
		Metering Standard	: IEC62052-11

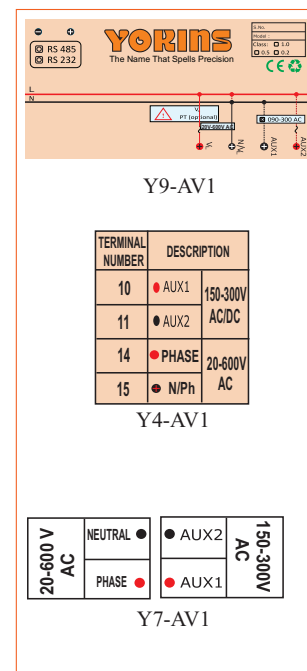
DIMENSIONS (MM)

MODEL	Y9-AV1	Y7-AV1	Y4-AV1
FRONT	96 X 96	72 X72	48 X 96
DEPTH (Behind Bezel)	39.5	59	74
Panel Cut -Out	92 ^(+0.8-0.0) x 92 ^(+0.8-0.0)	68 X 68	44 ^(+0.5-0.0) x 92 ^(+0.8-0.0)

ORDERING INFORMATION

MODEL	MEASURING RANGE	ACCURACY CLASS	AUX SUPPLY
Y9-AV1	0-10V AC 0-30V AC 0-100V AC	0.5	150-300V AC (TX Supply) 45-270V AC /DC 19-60V AC /DC
	20-750V AC 30-1000V AC	1.0 0.5	
Y7-AV1	20-750V AC	1.0	150-300V AC (TX Supply) 45-270V AC /DC 19-60V AC /DC
Y4-AV1		0.5	45-270V AC /DC

TERMINAL CONNECTION



*WHILE ORDERING PLEASE MENTION RANGE, CLASS & AUX SUPPLY & FOR BULK CUSTOMIZED INQUIRES PLEASE CONTACT SALES.