

DIGITAL PANEL METER BASIC SERIES

YORINS
The Name That Spells Precision

AC VOLT METERS (Three Phase)



Y9-AV3



Y7-AV3



Y4-AV3



Y9-3V3

FEATURES

- Displays Line to Line Voltage and Line to Neutral
- Voltage-Phasewise and Average and system frequency.
- Password Protected.
- True RMS** measurement of parameters.
- Auto/Manual scrolling of parameters
- Easy Programming with push buttons on front facia.
- RS-485 Communication optional.
- Relay Output for alarm can be provided.(optional)

SPECIFICATION

Display	: 4 Digit Red LED Super Bright Display	Maximum Overload	: Voltage 1.2 Times Continuous
Digit Height	: 0.56"/14.2.mm	Frequency Response	: 40-400 Hz
Maximum display	: 9999(Max.) Counts	Auxiliary Supply	: 150-300V AC, 45-270V AC /DC, 19-60V AC /DC
Resolution	: 0.001 to 1 Count Depending on Range/ Scale Display	Input Voltage	: 0- 750V AC(Direct)
Display Stability	: With in ± 1 Digit	PT Primary Range	: 50 to 500kV AC Programmable
Faceplate /Lens	: Polycarbonate Transparent	PT Secondary Range	: 50 to 500V AC Programmable
Case/Housing Material	: FR-ABS Black	Accuracy Class	: 1 & 0.5 (Freq. Measurement of Class 0.2)
Connectors /Terminal	: Nylon 66, 33%GF,Black/Brass	VA (Burden)	
Mounting Clamps	: Sturdy, Moulded Glass filled nylon with screws.	Auxiliary	: ≤ 1.5 VA
Decimal Point	: Auto Scrolling	Voltage Input	: ≤ 1.0 VA
Dielectric Strength	: 2.5KV @50 Hz for 1 minute between Input -Auxiliary	Environment	
	: & Case - Terminals	Calibration	: $27^{\circ}\text{C} \pm 5^{\circ}\text{C}$
Impulse Withstand	: 3.5.KV, 1.2/50 micro Second	Operating	: 0° to $+ 60^{\circ}\text{C}$, RH<70%
Refresh Rate	: Per 8.0ms	Storage	: -10° to $+70^{\circ}\text{C}$, RH<70%
		Metering Standard	: IEC62052-11

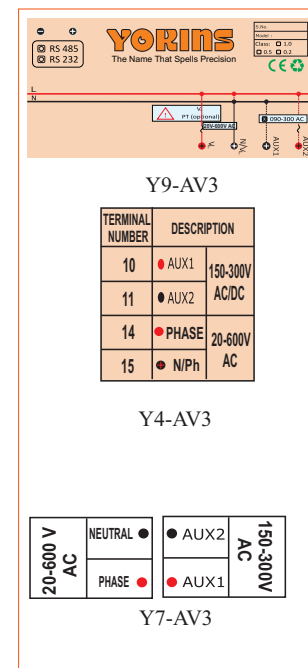
DIMENSIONS (MM)

MODEL	Y9-AV3	Y7-AV3	Y4-AV3	Y9-3V3
FRONT	96 X 96	72 X72	48 X 96	96 X 96
DEPTH (Behind Bezel)	39.5	59	74	52
Panel Cut -Out	$92^{(+0.8-0.0)} \times 92^{(+0.8-0.0)}$	68 X 68	$44^{(+0.5-0.0)} \times 92^{(+0.8-0.0)}$	$92^{(+0.8-0.0)} \times 92^{(+0.8-0.0)}$

ORDERING INFORMATION

MODEL	MEASURING RANGE	ACCURACY CLASS	AUX SUPPLY
Y9-AV3			
Y7-AV3			
Y4-AV3	20-600V (Line to Neutral) 30-1000 (Line to Line)	1.0 0.5	150-300V AC (TX Supply) 45-270V AC /DC 19-60V AC /DC
Y9-3V3			

TERMINAL CONNECTION



*WHILE ORDERING PLEASE MENTION RANGE, CLASS & AUX SUPPLY & FOR BULK CUSTOMIZED INQUIRES PLEASE CONTACT SALES.



E-Mail: sales@yokins.com | Tel: 011-40159888
www.yokins.com