

Feature

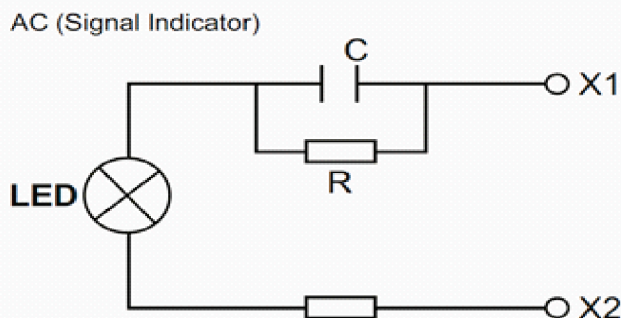
- ·Ø22.5mm dia cutout
- ·4 LED Bright Luminance
- ·All Colors Red, Green, Yellow, Blue, White and Amber Available
- ·Voltage Available 12-230V AC/DC, 24V DC, 12V DC
- ·1 Year Warranty



TECHNICAL SPECIFICATION

·Rated voltage	12-230VAC/DC, 24VDC, 12VDC
·Operating voltage	-20% to +10% of rated voltage
·Rated working current	≤20mA max
·Operating frequency	50/60Hz
·Insulation resistance	Ui ≤60V5MΩ
·Withstand voltage	2.5KV (AC effective value) 1min.
·Continues working life	≥3,000Hrs
·Brightness	≤100cd/m ²

INTERNAL WIRING DIAGRAM

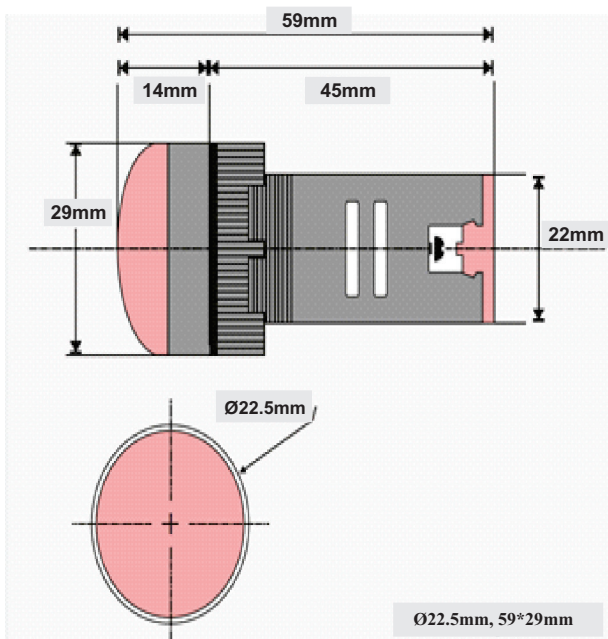


OTHER SPECIFICATION

·Degree of protection	IP20
·Confirming of standard	IEC60947-5-1, EN60947-5-1

ORDER CODE

DIMENSIONS



IL22RA	12-230V AC/DC	● RED
IL22GA		● GREEN
IL22YA		● YELLOW
IL22BA		● BLUE
IL22WA		○ WHITE
IL22AA		● AMBER
IL22RC	24V DC	● RED
IL22GC		● GREEN
IL22YC		● YELLOW
IL22BC		● BLUE
IL22WC		○ WHITE
IL22AC		● AMBER
IL22RD	12V DC	● RED
IL22GD		● GREEN
IL22YD		● YELLOW
IL22BD		● BLUE
IL22WD		○ WHITE
IL22AD		● AMBER