

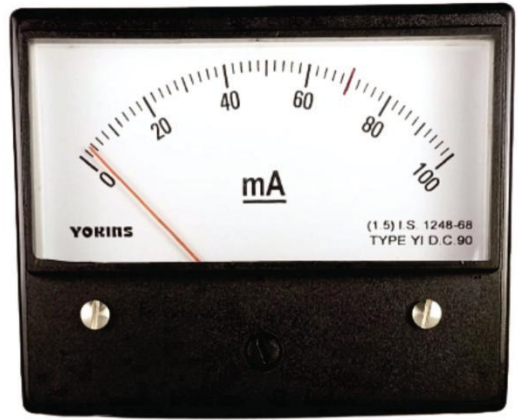
Phoenix Series



DC-65R



DC-70R



DC-90R

YOKINS Phoenix Series is designed for rear panel mounting arrangement. In Phoenix series meters are manufactured in Moving coil, Moving iron and moving coil rectifier type.

Features:

- AC Moving Iron type for AC65(R)
- DC Moving Coil type for DC65(R), DC70(R), DC90(R) & DC120(R)
- AC Moving coil type with Rectifier Circuit in all above models

Accuracy : $\pm 1.5\%$ of Full Scale for DC65(R), DC70(R), DC90(R) & DC120(R)
 $\pm 2.5\%$ of Full Scale for AC65(R)

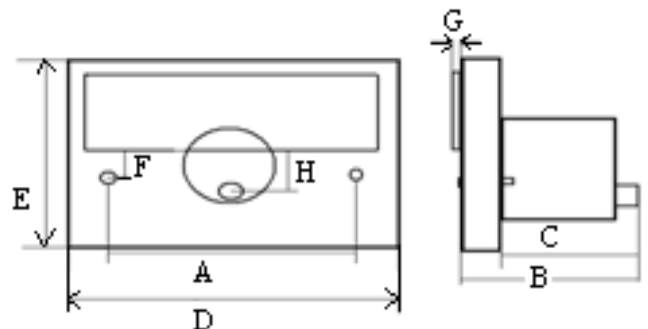
Standard : IS-1248

Size : Dimensional data below.

| Type | Panel Cut | A | B | C | D | E | F | G | H | Scale Length |
|-------------|------------|----|----|----|-----|-----|----|-----|----|--------------|
| AC/DC 65(R) | 63 x 36 | 48 | 45 | 33 | 69 | 69 | 21 | 3.5 | 18 | 60 |
| DC 70(R) | 77 x 37 | 67 | 55 | 41 | 86 | 69 | 8 | 3.5 | 18 | 65 |
| DC 90(R) | 97.5 x 49 | 70 | 60 | 47 | 104 | 84 | 8 | 5 | 17 | 90 |
| DC 120(R) | 124.5 x 60 | 88 | 65 | 49 | 134 | 101 | 6 | 5 | 23 | 105 |

Application :

- Marine X ray machines.
- Switchgear.
- Distribution systems.



- Control panels.
- Embedded generation.
- Energy management.
- Building management.
- Utility power monitoring.
- Process control.
- Motor monitoring.