

DIGITAL PANEL METER BASIC SERIES

AC POWER FACTOR METERS (Single Phase / Three Phase)



Y9-PF1



Y9-PF

FEATURES

- Displays Power Factor of the System.
- Both Single/Three Phase Power Factor Can be Individually Measured
- LED Indication to Indicate Lead or Lag Status
- True RMS measurement of parameters.
- Easy Programming with push buttons on front facia.
- RS-485 option available on demand.
- Relay Output for alarm can be provided.(optional)

SPECIFICATION

Measuring Method	: Cosine of Phase Shift Between Voltage & Current	Impulse Withstand	: 3.5.KV, 1.2/50 micro Second
Display	: 4 Digit Red LED Super Bright Display	Refresh Rate	: Per 8.0ms
Digit Height	: 0.56"/14.2.mm	Maximum Overload	: Voltage 1.2 Times Continuous Current 2 Times Continuous
Maximum display	: 9999(Max.) Counts	Frequency Response	: 40-65 Hz
Resolution	: 0.001 to 1 Count Depending on Range/ Scale Display	Auxiliary Supply	: 150-300V AC, 45-270V AC /DC, 19-60V AC /DC
Display Stability	: With in ± 1 Digit	Input Voltage	: 0- 750V AC(Direct)
Faceplate /Lens	: Polycarbonate Transparent	Input Current	: 0.020- 10A AC(Direct)
Case/Housing Material	: FR-ABS Black	Accuracy Class	: 0.5
Connectors /Terminal	: Nylon 66, 33%GF,Black/Brass	VA (Burden)	
Mounting Clamps	: Sturdy, Moulded Glass filled nylon with screws.	Auxiliary	: ≤ 1.5 VA
Decimal Point	Auto Scrolling	Voltage Input	: ≤ 1.0 VA
Polarity Indication	: L(Lagging/Inductive) or C (Leading/Capacitive)	Current Input	: ≤ 1.0 VA
Under Range Indication	: Error Code 01 Blinking when Current Non Detectable	Environment	
Dielectric Strength	: 2.5KV @50 Hz for 1 minute between Input -Auxiliary & Case - Terminals	Calibration	: $27^{\circ}C \pm 5^{\circ}C$
		Operating	: 0° to $+60^{\circ}C$, RH<70%
		Storage	: -10° to $+70^{\circ}C$, RH<70%
		Metering Standard	: IEC62052-11

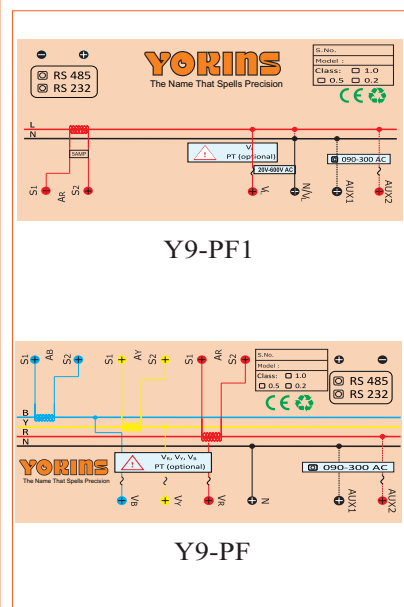
DIMENSIONS (MM)

MODEL	Y9-PF1	Y9-PF
FRONT	96 X 96	96 X 96
DEPTH (Behind Bezel)	39.5	52
Panel Cut -Out	92 ^(+0.8-0.0) x 92 ^(+0.8-0.0)	92 ^(+0.8-0.0) x 92 ^(+0.8-0.0)

ORDERING INFORMATION

MODEL	MEASURING RANGE	ACCURACY CLASS	AUX SUPPLY
Y9-PF1 (Single Phase)	(Voltage Input=) 20- 750V AC(Direct) (Current Input=) 0.080- 10A AC(Direct) or 0.020- 1A AC(Direct) or 0.1A-30A Direct AC	0.5	150-300V AC (TX Supply) 45-270V AC /DC 19-60V AC /DC
Y9-PF (Single/Three Phase)	(Voltage Input=) 20-600V (Line to Neutral) 30-1000 (Line to Line) (Current Input=) 0.020A-10A AC 0.1A-30A Direct AC Per Phase	0.5	150-300V AC (TX Supply) 45-270V AC /DC 19-60V AC /DC

TERMINAL CONNECTION



*WHILE ORDERING PLEASE MENTION RANGE, CLASS & AUX SUPPLY & FOR BULK CUSTOMIZED INQUIRES PLEASE CONTACT SALES.