

Round series



YOKINS Round Series is designed for Flush panel mounting arrangement. In Round series meters are manufactured in Moving coil, Moving iron and moving coil rectifier type.

Movement Type :

AC Moving Iron type for SO65.

DC Moving Coil type for MO65, MO80, MO100, MO110.

AC Moving coil type with Rectifier Circuit in all above models.

Accuracy :

±1.5% of Full Scale for MO110, MO100, MO80

±2.5% of Full Scale for SO65 & MO65

Standards : IS-1248

Size : Dimensional details below.

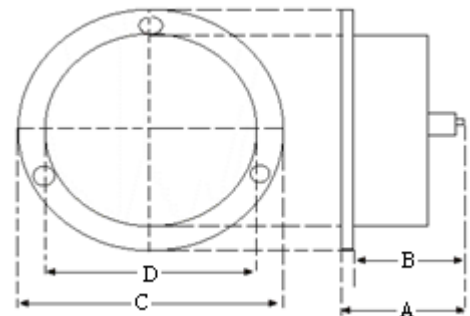
Application :

Mostly used in railways.

Agricultural panels.

Marine.

Motor monitoring.



	A	B	C	D	Panel Cut	Scale Length
MO65/SO65	45	39	82	65	65	50
MO80	64	55	98	80	80	
MO100/SO100	70	60	125	104	104	92
MO100/SO100	70	60	135	112.5	112.5	